

KIEN1005A

5 port unmanaged DIN-Rail switches



» Overview

The KIEN1005A series belong to Kyland ultra low power consumption Green Ethernet series, equipped with 5 Fast Ethernet ports, plug and play, its full load power consumption is as low as 3.5 watts. The solid metal housing with IP40 protection class, strong vibration-resistant mounting clip for DIN-Rail installation, 12V/24V/48V/220V optional power supply, wide operating temperature range from -40°C to 85°C, and excellent EMC performance give the switches stable and reliable operating capability in the harsh industrial environments, and make them ideal for setting up robust Fast Ethernet connection in power, ITS, factory automation, and other industrial applications.

» Key Features

Green Ethernet solution with full load power consumption as low as 3.5W

1 Fast Ethernet fiber/RJ45 optional port, 4 10/100Base-T(X) ports

EMC performance reaches industrial level 4

IP40 protection class

CE, FCC certificates

» Product Specifications

>Technical Specification
-Standard

IEEE 802.3i (10Base-T)

IEEE 802.3u (100Base-TX and 100Base-FX)

-Switch Properties

MAC Table:

2K

Packet Buffer:

1Mbit

Packet Forwarding Rate: 0.8Mpps

Switching Delay: <10 μ s

-Interface

Fast Ethernet Port:

100Base-FX, SM/MM, SC/ST/FC connector

10/100Base-T(X), RJ45 port

-LED

LEDs on Front Panel

Power LED:

PWR1, PWR2

Interface LED:Link/ACT, Speed (RJ45 port); Link/ACT (Fiber port)

-Power Requirements

Power Input:

24-48VDC

12-24VDC

100-240VAC,50/60Hz; 110-220VDC

Power Terminal:

5-pin 5.08mm-spacing plug-in terminal block (12/24/48VDC)

3-pin 5.08mm-spacing plug-in terminal block (220VAC/DC)

Power Consumption:

<2.7W (12/24/48VDC)

<3.5W (220VAC/DC)

Overload Protection: Support

Reverse Protection: Support

Redundancy Protection: (12/24/48VDC) Support

-Physical Characteristics

Housing: Metal

Cooling: Mode Natural convection, fanless

Protection Class: IP40

Dimension:

30mm×115mm×91.5mm (W×H×D)

Weight:

0.46Kg

Mounting: DIN-Rail or Panel Mounting

-Environmental Limits

Operating Temperature: -40°C to +85°C

Storage Temperature: -40°C to +85°C

Ambient Relative Humidity: 5-95% (non-condensing)

Operating Altitude: 2500M

-Quality Assurance

MTBF: 454730h

Warranty: 5 years

-Approvals

CE(EMC): Models with L2 (24-48VDC) & HV (100-240VAC, 50/60Hz; 110-220VDC)

FCC: Models with L2 (24-48VDC) & HV (100-240VAC, 50/60Hz; 110-220VDC)

-Industry Standard

EMI:

FCC CFR47 Part 15, EN55022/CISPR22, Class A

EMS:

IEC61000-4-2(ESD) ±8kV (contact), ±15kV (air)

IEC61000-4-3(RS) 10V/m (80MHz–2GHz)

IEC61000-4-4(EFT) Power Port: ±4kV; Data Port: ±2kV

IEC61000-4-5 (Surge) Power Port: ±2kV/DM, ±4kV/CM; Data Port: ±2kV

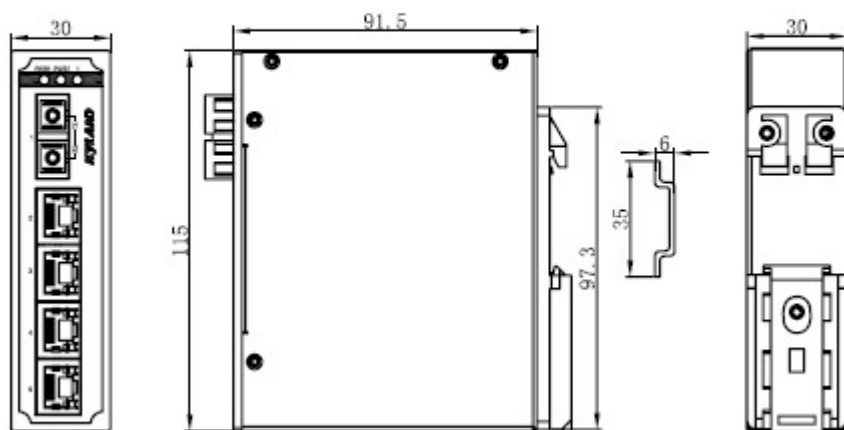
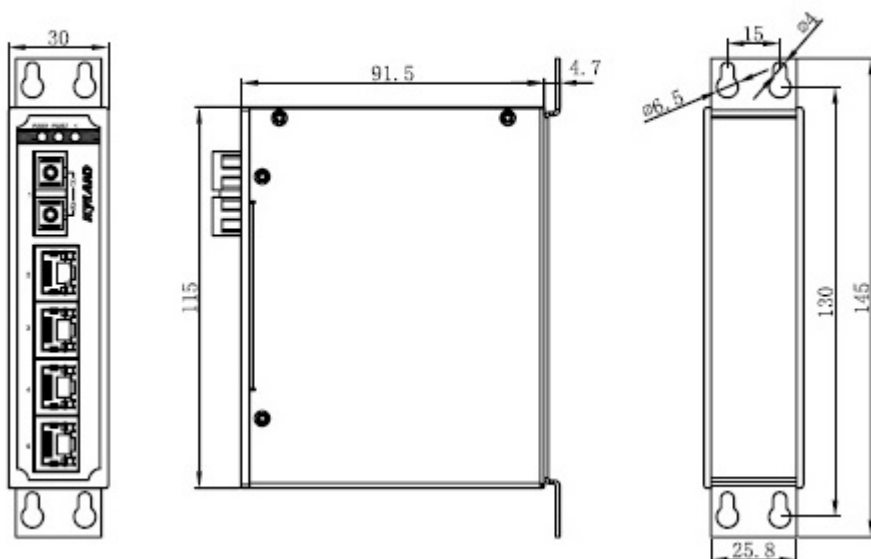
IEC61000-4-6(CS) 10V (150kHz–80MHz)

Machinery:

IEC60068-2-6(Vibration)

IEC60068-2-27(Shock)

IEC60068-2-32(Free Fall)

» Mechanical Drawing**KINE1005A 卡轨安装尺寸图****KIEN1005A 壁挂安装尺寸图****» Ordering Information****KIEN1005A-Ports-Connector-PS**
Ports

1S4T	1x100Base-FX, single mode fiber ports; 4x10/100Base-T(X) RJ45 ports
1M4T	1x100Base-FX, multi mode fiber ports; 4x10/100Base-T(X) RJ45 ports
5T	5x10/100Base-T(X) RJ45 ports
Connector	100M fiber port specifications
SC05	SC connector, multi-mode, 1310nm, 5km
ST05	ST connector, multi-mode, 1310nm, 5km
FC05	FC connector, multi-mode, 1310nm, 5km
SC40	SC connector, single-mode, 1310nm, 40km
ST40	ST connector, single-mode, 1310nm, 40km
FC40	FC connector, single-mode, 1310nm, 40km
SC60	SC connector, single-mode, 1310nm, 60km
SC80	SC connector, single-mode, 1550nm, 80km
None	No 100M fiber port
PS	
L2-L2	24-48VDC, redundant power inputs
L5-L5	12-24VDC, redundant power inputs
HV	100-240VAC, 50/60Hz; 110-220VDC, single power input
Accessories	
DT-BGAZ-01	Panel for panel mounting
DT-FCZ-RJ45-01	Dustproof cover for RJ45 port

Version:2021-03-22 12:04:41